



# 5 Port Air Operated Valve **PHP Series**



PHP 520 Series/IN-Line Type	—————	P.488
PHP 530 Series/IN-Line Type	—————	P.489
PHP 540 Series/IN-Line Type	—————	P.490



# 5 Port Air Operated Valve

# PHP530 Series

## Rubber Seal / In-Line Type



**PHP530S** 2 Position  
Single

**PHP530D** 2 Position  
Double

### ORDER KEY

**PHP530**    **S** — **10**

①                      ②

1. Function                      2. Port size

S	Single
D	Double

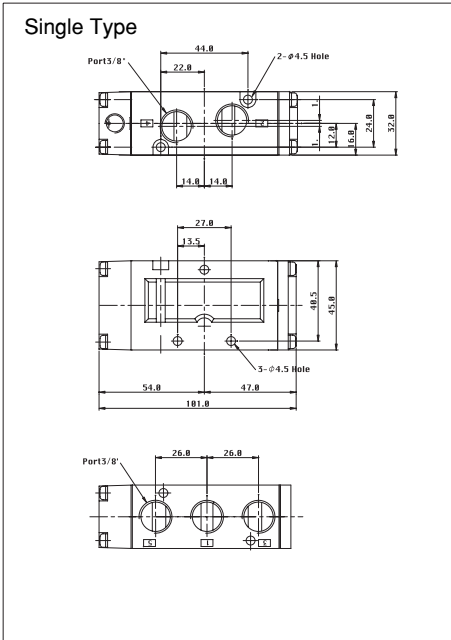
10	PT 3/8
----	--------

### Specifications

Model No	Unit	PHP530S	PHP530D
Fluid		Non-lubricated / Lubricated Air	
Port Size		PT 3/8"	
Effective Area	mm <sup>2</sup> (CV)	30(1.6)	
Temperature Range	°C	5~60	
Pressure Range	MPA(bar)	0.15~0.9(1.5~9.0)	
Exhaust Type		Individual Exhaust	
Manual Override		Non-lock(Standard), Lever-lock(Optional)	

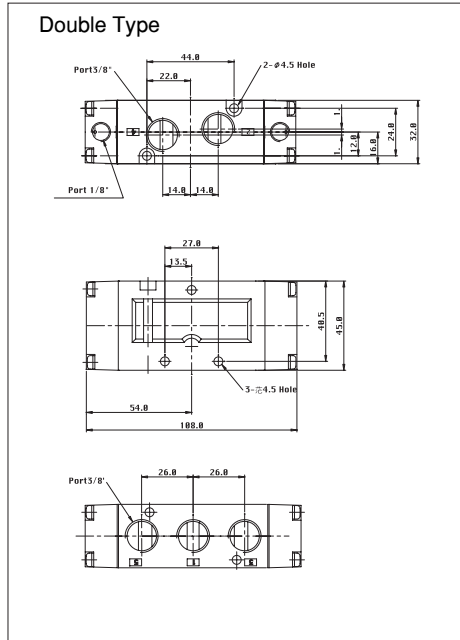
### Dinemsins

(Uniti : mm)



### Dimensions

(Uniti : mm)



# 5 Port Air Operated Valve

# PHP540 Series

## Rubber Seal / In-Line Type

**PHP540S**

2 Position  
Single

**PHP540D**

2 Position  
Double



### ORDER KEY



#### 1. Function

S	Single
D	Double

#### 2. Port Size

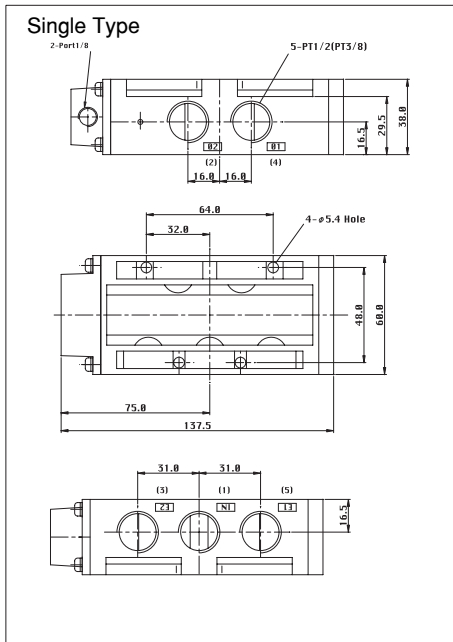
10	PT 3/8
15	PT 1/2

### Specifications

Model No	Unit	PHP540S	PHP540D
Fluid		Non-lubricated / Lubricated Air	
Port Size		PT 3/8, PT 1/2	
Effective Area	mm <sup>2</sup> (CV)	53(2.9)	
Temperature Range	°C	5~60	
Pressure Range	MPA(bar)	0.15~0.9(1.5~9.0)	
Exhaust Type		Individual Exhaust	
Manual Override		Non-lock(Standard), Lever-lock(Optional)	

### Dinemsins

(Unit : mm)



### Dinemsins

(Unit : mm)

